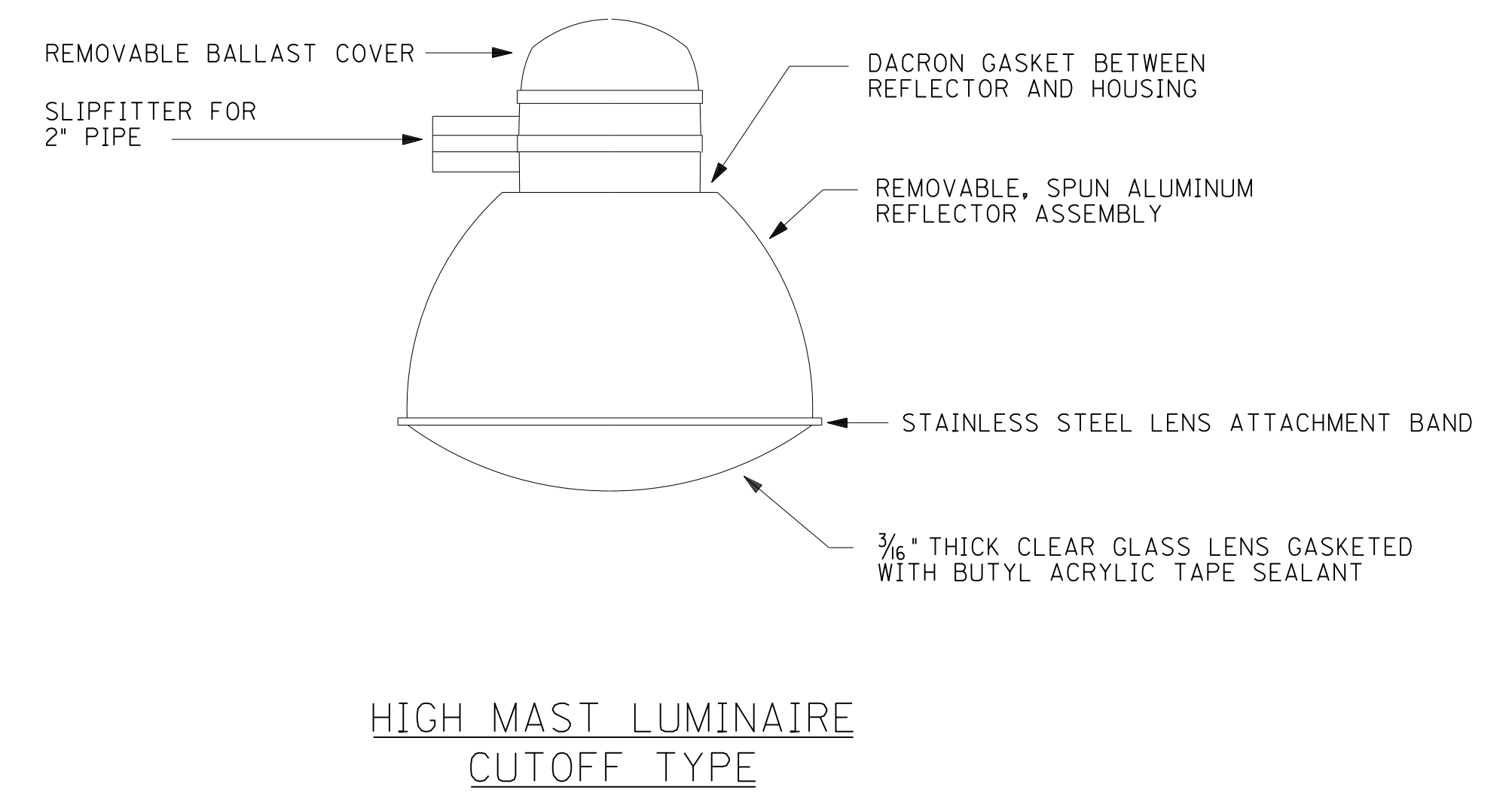
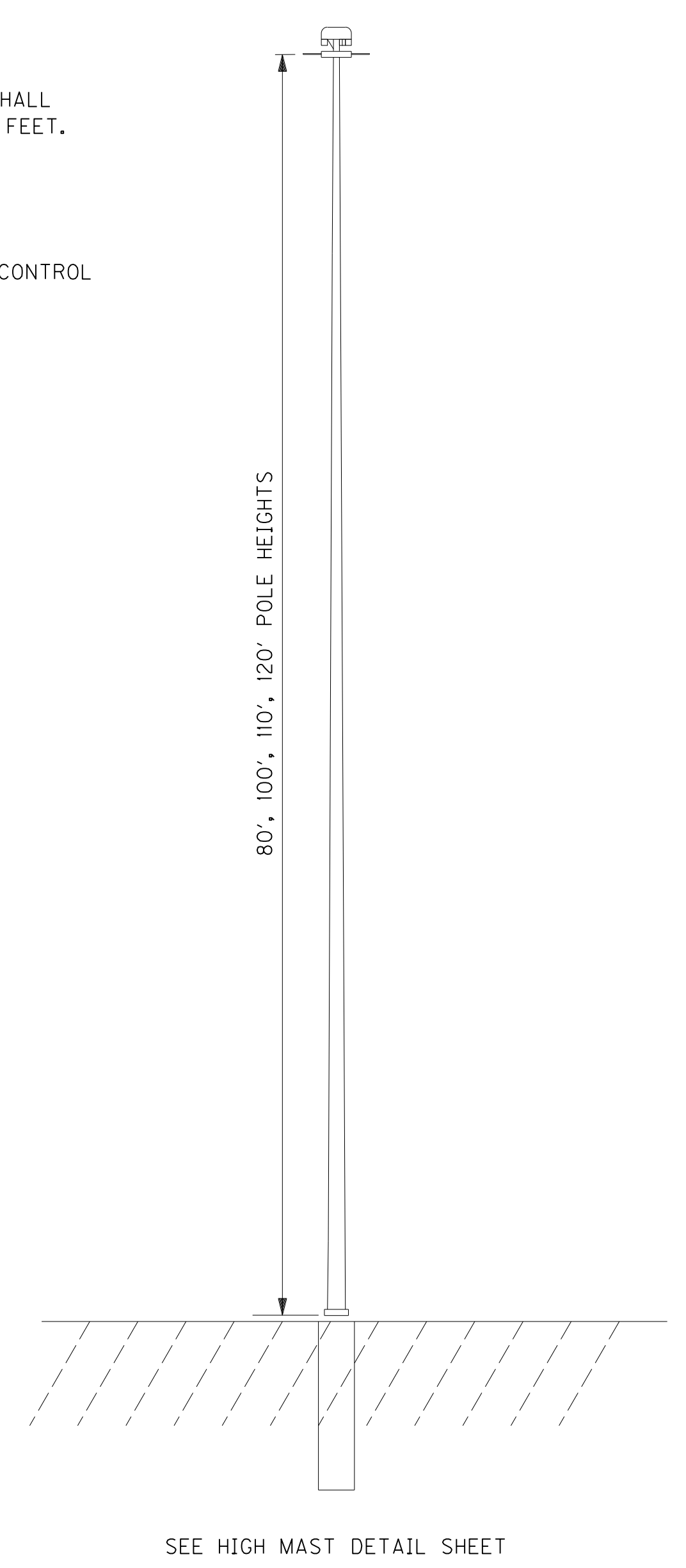
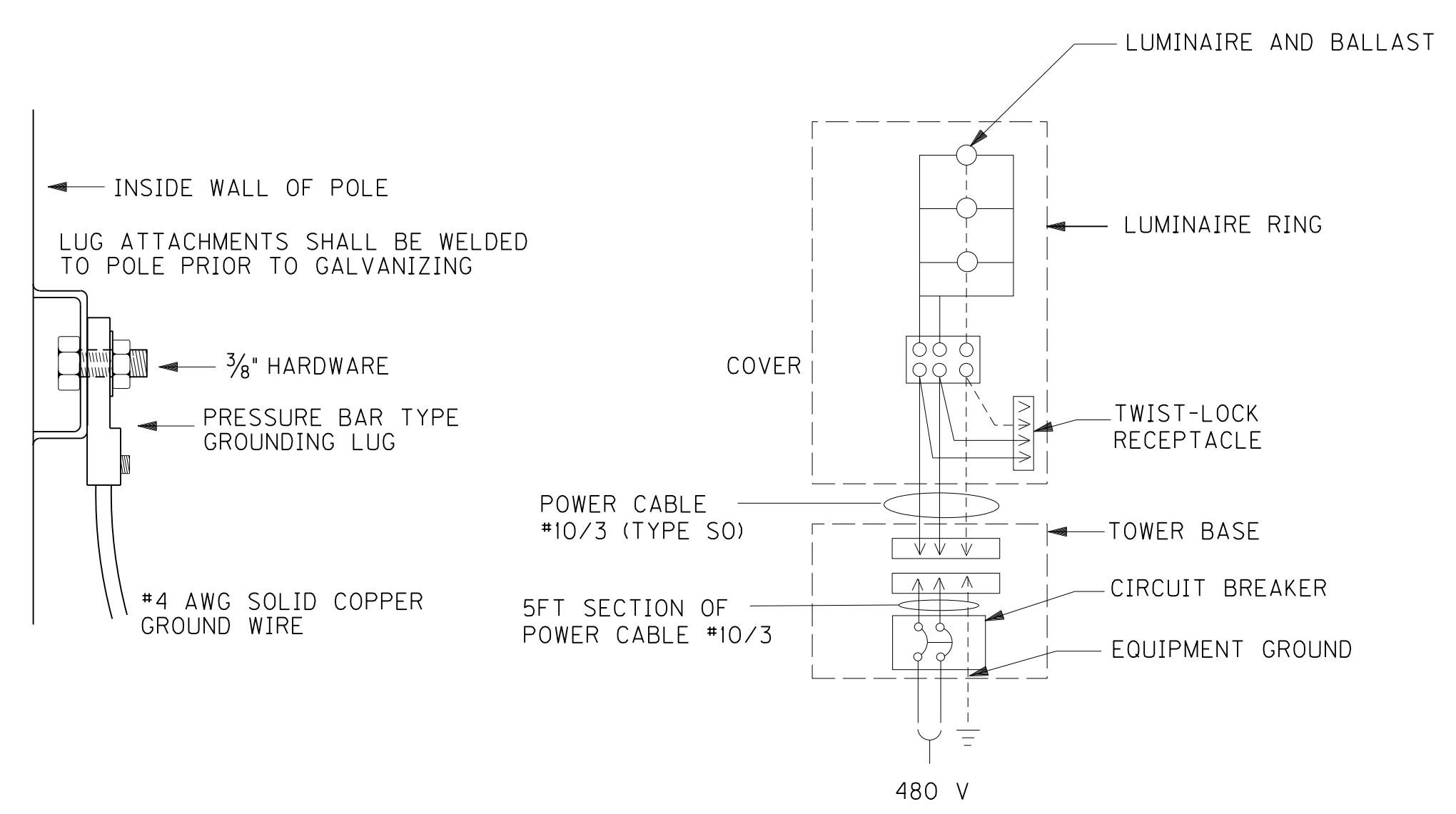
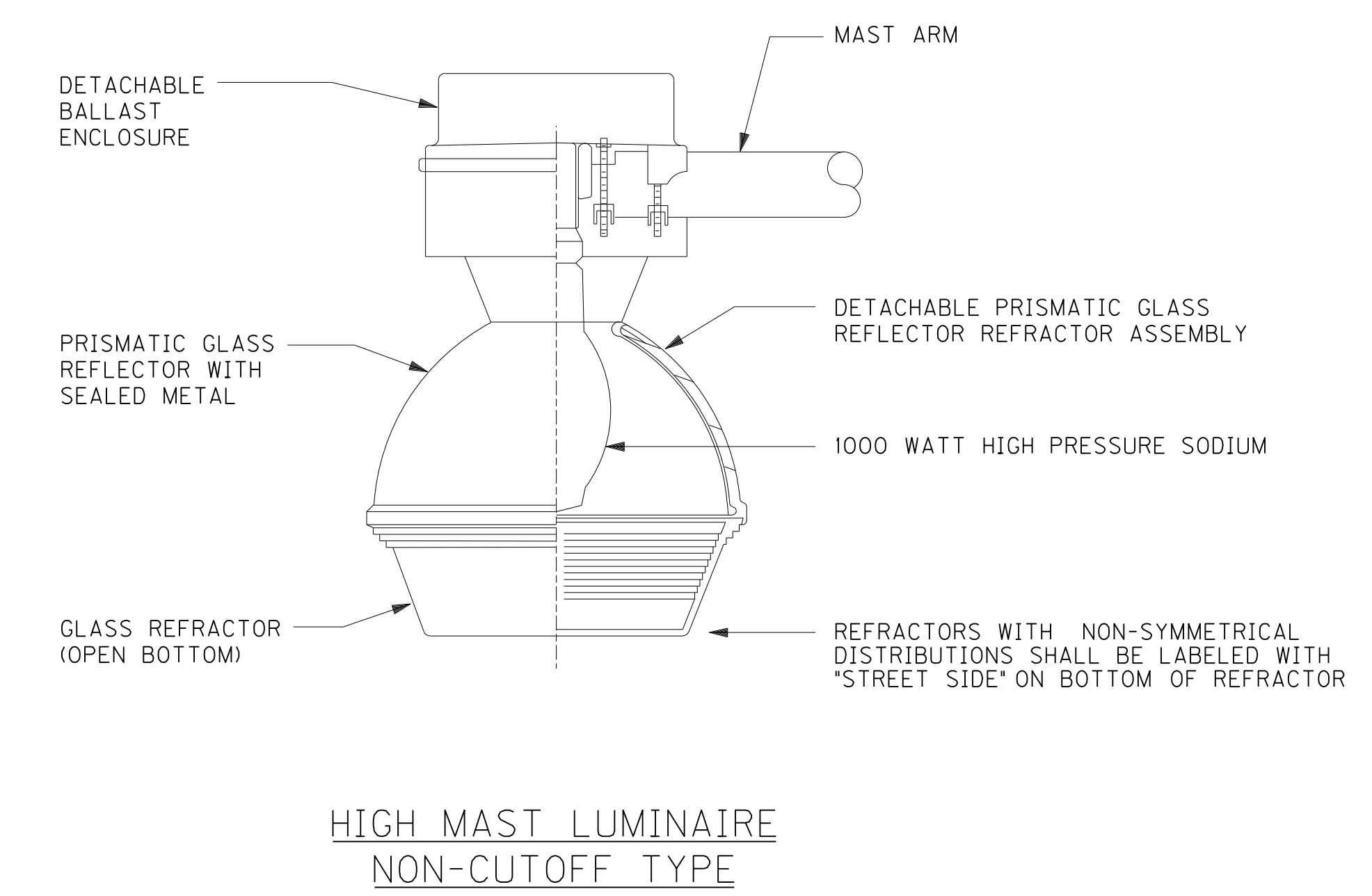
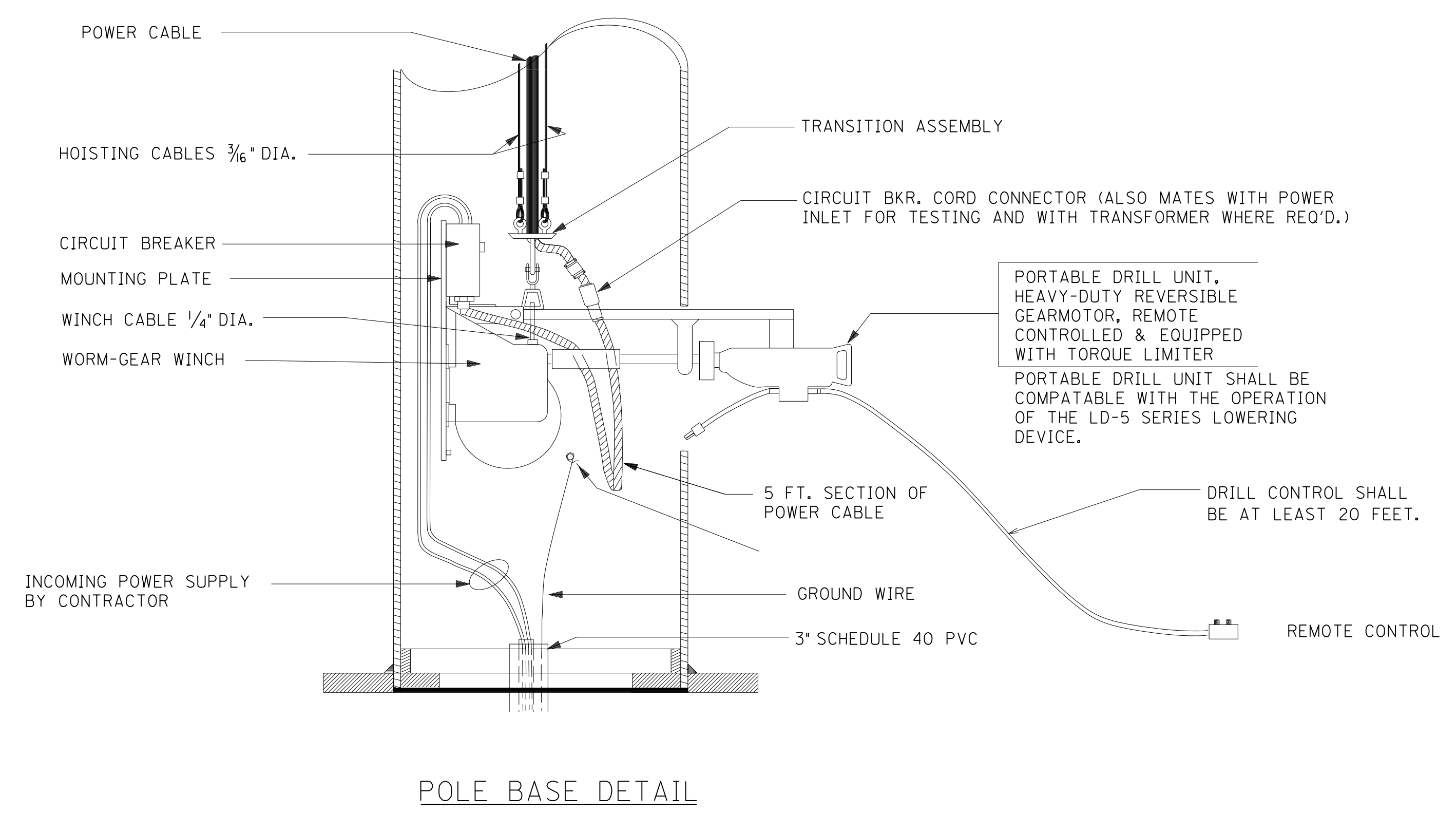


FILE NAME: G:\USERS\TED.SWANSEGAR\DESKTOP\NEW FOLDER\05 10-HM POLE (HMI.DGN)  
 USER: ted.swansegar  
 DATE PLOTTED: April 26, 2016  
 E-SHEET NAME:  
 MicroStation v8.11.7.443  
 2-8-2016



NUMBER OF PORTABLE POWER UNITS TO BE SUPPLIED 1